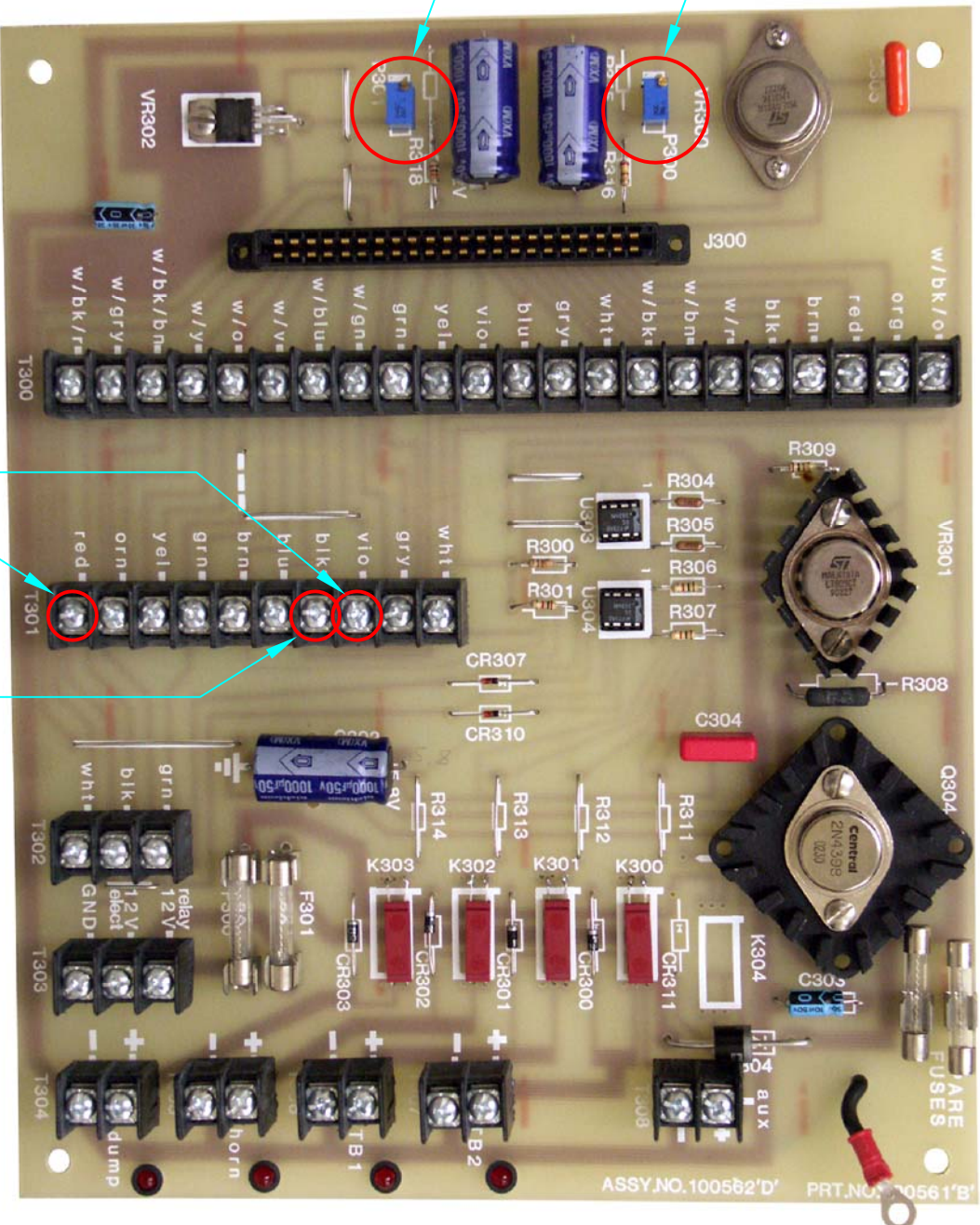
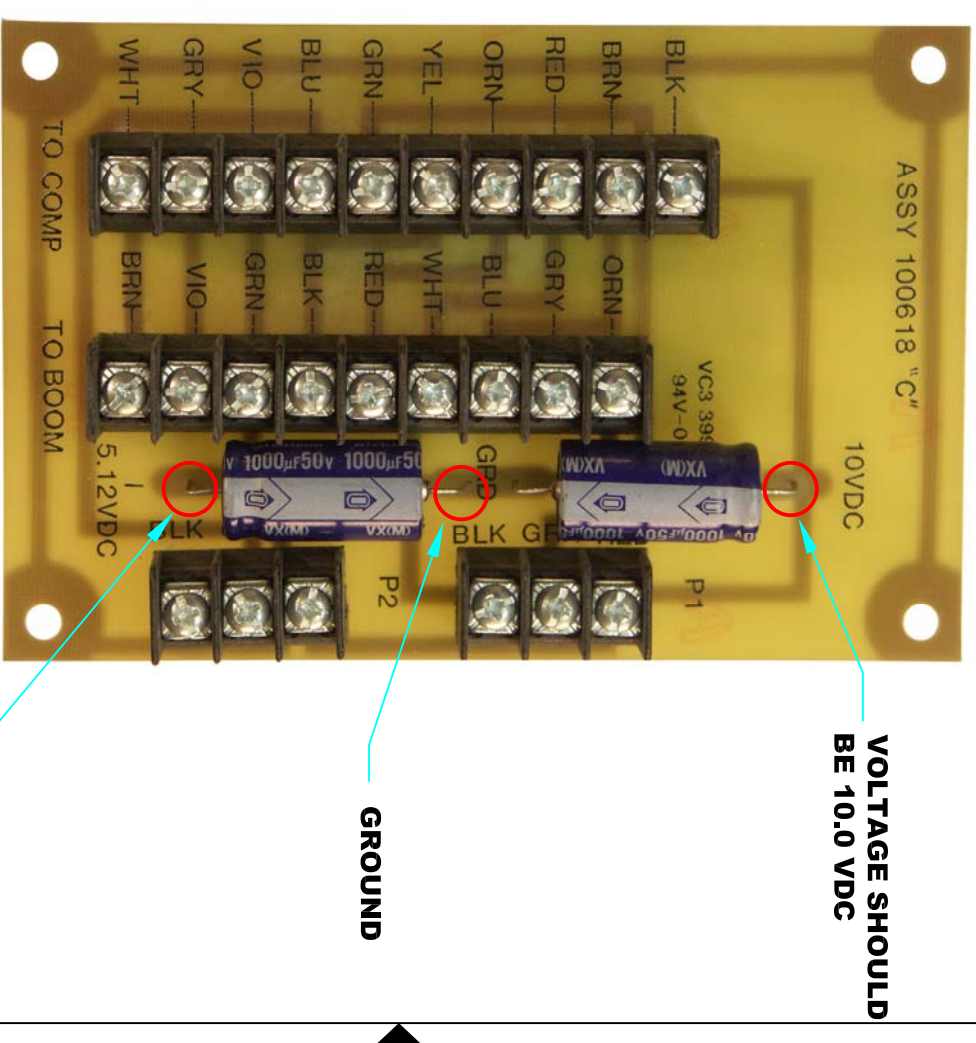


MMS-80 TERMINAL BOARD 100562



100618 PEDESTAL JUNCTION BOX



REVISIONS				
ZONE	REV	DESCRIPTION	DATE	APPROVED

Notes: Unless otherwise specified

Used on	DRWN:	Title			
	M. Remenih 12/13/04	Trans-Cal Industries, Inc.			
	Engr	Van Nuys, CA 91406-2908			
	CHK	Crane Voltage Check Points			
	Mtrl.	SIZE	DO NOT SCALE	DWG NO.	REV
		B	DRAWING	101409	D
		SCALE None	Units: Inch [MM]	SHEET	1 of 1

Tolerances:
Decimals: .XXX±.010
Angles ±0°30'
Metric equivalents, based on 1"=25.4MM rounded to the same number of significant figures as the English units.